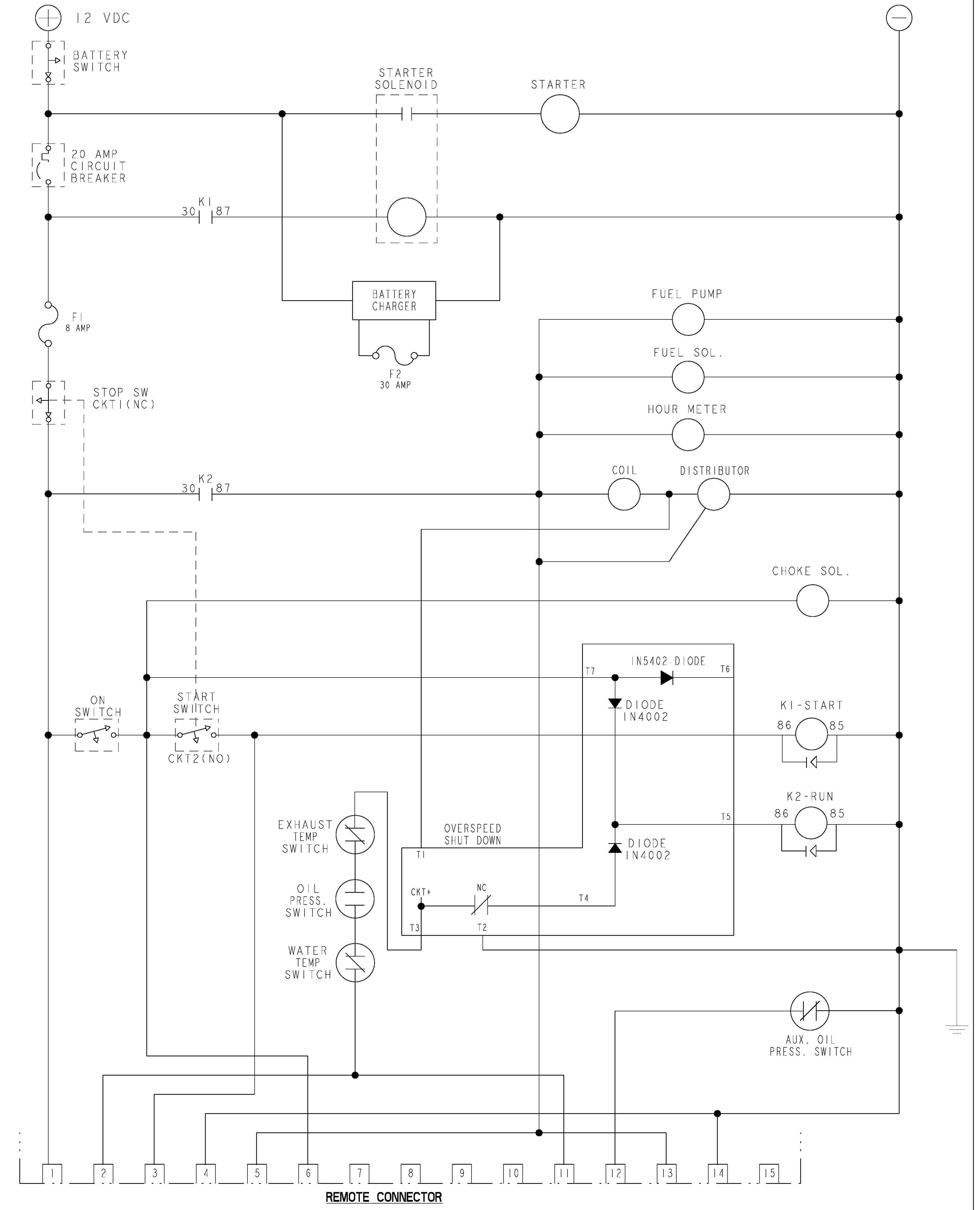
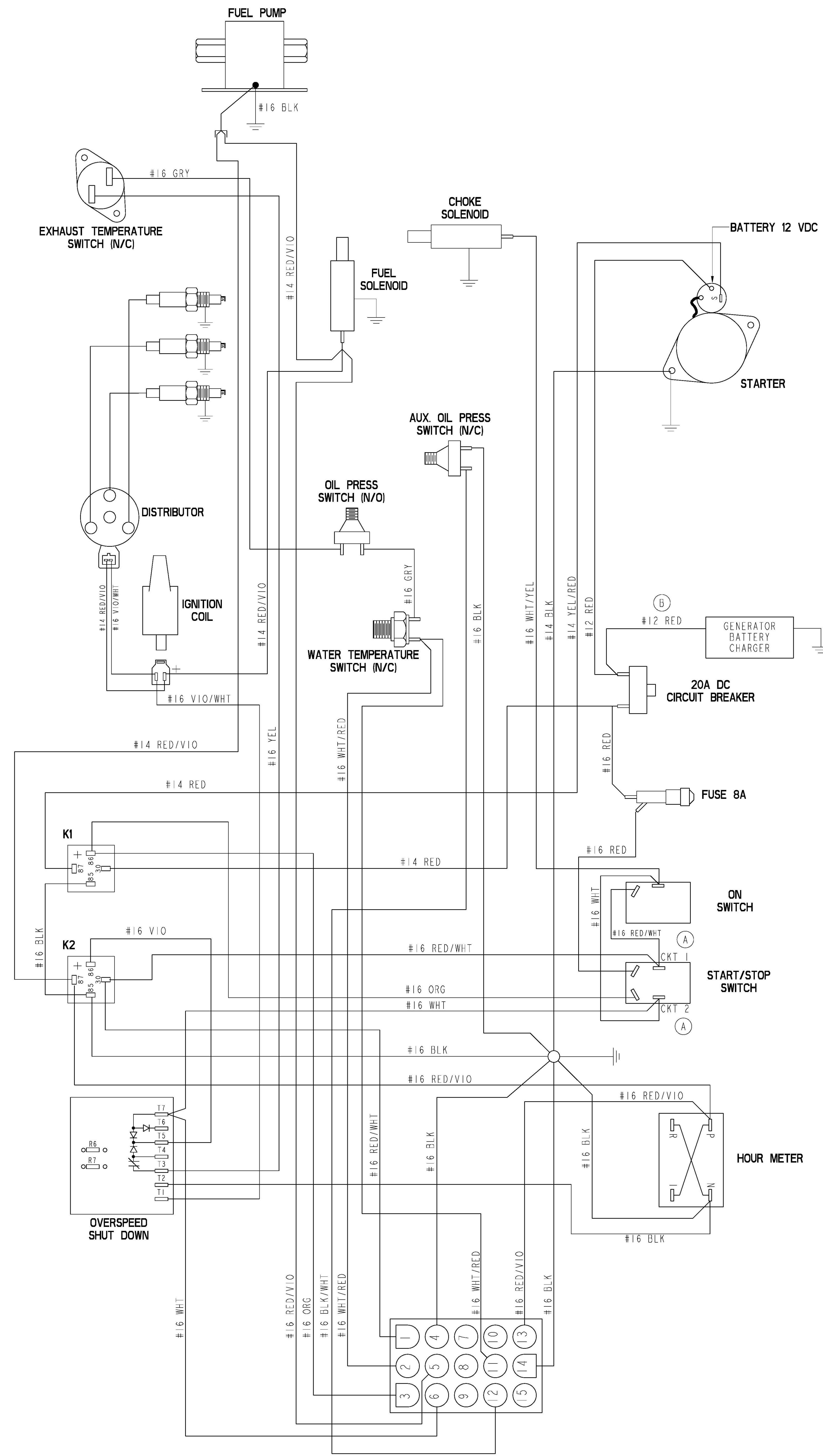


ECO NO.	DATE	REV.	REVISION RECORD	AUTH.	DR. BY
4065	4/20/99	A	REVERSED CIRCUIT #1 AND CIRCUIT #2 ON START/STOP SWITCH	JEC	JEC
5054	10/16/01	B	ADDED WIRE DESCRIPTION FROM BATTERY CHARGER TO 20A CIRCUIT BREAKER	JRS	JRS



NOTES:

- ALL WIRE #16AWG(105DEG C 600V-ALPHA# 1858/19-MIL-W-16878D TYPE B) UNLESS SPECIFIED OTHERWISE.
- WARNING - RELAYS K1, K2 HAVE INTERNAL DIODES ACROSS THEIR COILS, POLARITY AS INDICATED MUST BE MAINTAINED TO AVOID DAMAGE TO THE RELAYS.

TOLERANCES (UNLESS OTHERWISE NOTED)		WESTERBEKE CORPORATION AVON MA. 02322	
INCHES	MILLIMETERS	TITLE: WIRING DIAGRAM 4.5, 7.0 BCGB	
.XX	.02	DATE	DATE
.XXX	.005	APPROVED BY	DATE
CAST	.03	SCALE	NONE
ANGLES	.04	DRAWING NUMBER	E 43864
FINISH		SHEET	1 OF 1